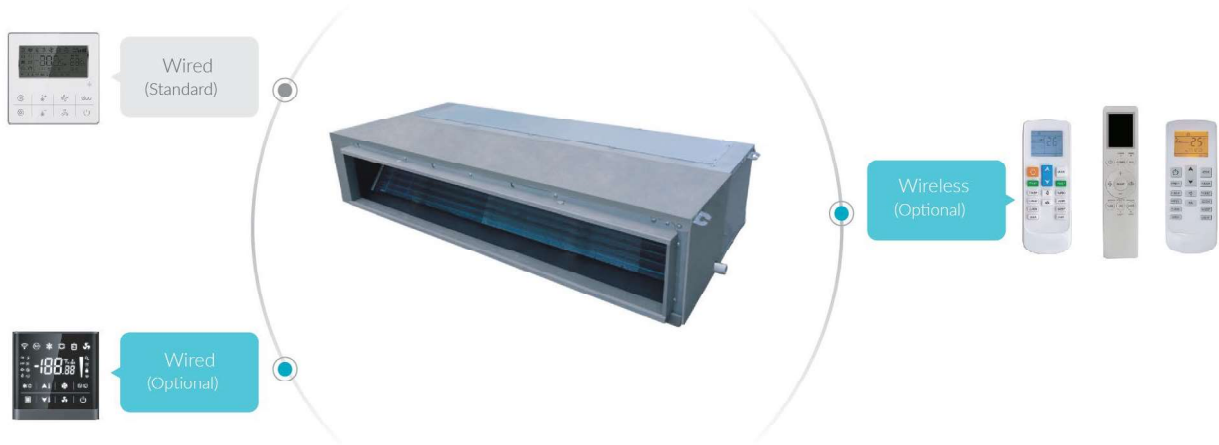


Medium ESP Ducted Unit



Features

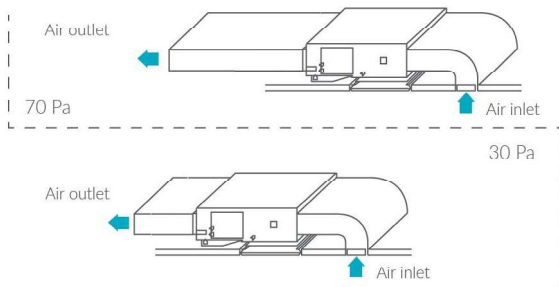
Accessories

Plenum box	Air filter	EXV	Drain pump	AC motor	DC motor
Standard	Standard	Standard	Optional	Standard	Optional



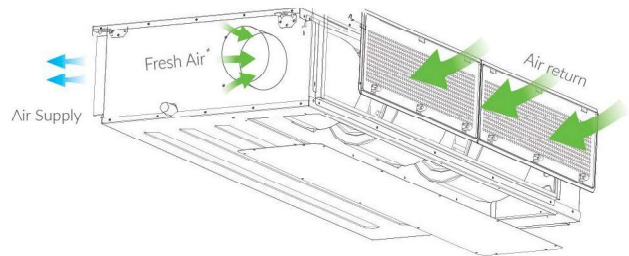
Static pressure

70Pa ESP is standard, suitable for long distance air supply, 30Pa is optional (can be set on site), suitable for low noise requirement rooms.



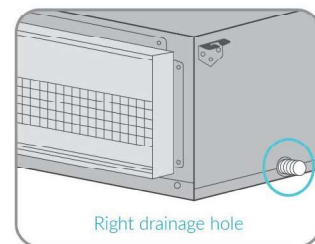
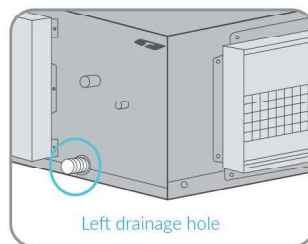
Fresh air intake

A reserved outside air intake port allows outdoor air to be introduced directly into the unit, no need for a separate ventilation system.



Convenient in drainage pipe installation

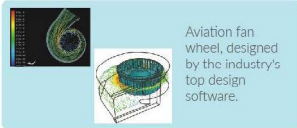
Reserved drainage pipe outlet holes on left side and right side, installer can choose the outlet holes on site as per actual conditions, flexible for drainage pipe installation.





Low noise design

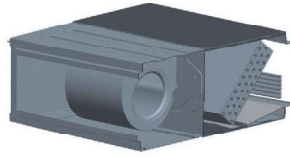
Using multiple noise reduction technology, including the design of high efficiency low noise motor, aviation fan wheel, low vibration wheel casing, unique design, the inner wall configuration with high quality insulation materials, and so on, to make the units running in a low noise condition.



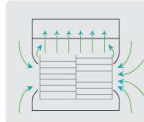
Aviation fan wheel, designed by the industry's top design software.



High efficiency low noise motor, motor and support frame with rubber ring isolation, can absorb vibration and reduce noise.



High quality insulation materials, effectively reducing noise diffusion



Wheel casing streamline design, reduce the airflow disturbance to lower the noise.



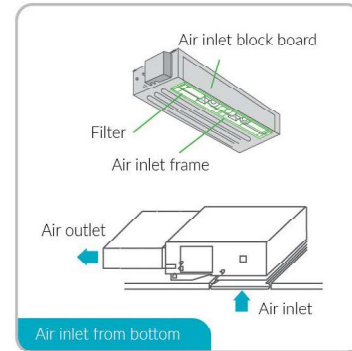
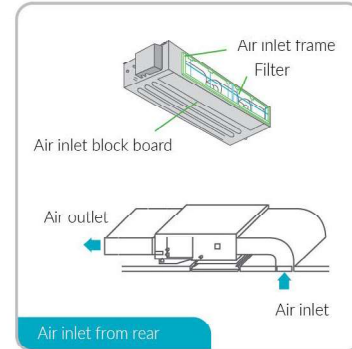
DC fan motor is optional

The power consumption of DC fan motor can be reduced greatly in comparison to corresponding AC type.



Two air return installation methods

Air return from rear or bottom is easy to change on site, convenient for installation.



Specification

Model name	Power type	Capacity				Rated input	Air flow		Sound Level	ESP	Dimension(WxHxD)				Body Weight		Connecting pipe			Standard controller									
		Cooling		Heating			M ³ /h	CFM			Packing	Body	Panel packing	Panel	Net	Gross	Cas	Inquire	Drain										
		kW	kBtu/h	kW	kBtu/h	kW	M ³ /h	CFM	DB(A)	Pa	mm	mm	mm	mm	kg	kg	mm	mm	mm										
CMV-V71TB/HR1-B	50Hz	7.1	24.2	8.0	27.2	0.10	1220	710	36-41	70	1255 x 325 x 720	1209 x 260 x 680			33	37	Φ15.88	Φ9.52	ODΦ25	Wired controller									
CMV-V71TB/HNR1-B	60Hz																												
CMV-V80TB/HR1-B	50Hz	8.0	27.2	9.0	30.7										1850	1080					38-43		1490 x 325 x 720	1445 x 260 x 680	/	/	33	37	
CMV-V80TB/HNR1-B	60Hz																												
CMV-V90TB/HR1-B	50Hz	9.0	30.7	10.0	34.1		2000	1170	40-44																			46	50
CMV-V90TB/HNR1-B	60Hz																												
CMV-V100TB/HR1-B	50Hz	10.0	34.1	11.0	37.5																							46	50
CMV-V100TB/HNR1-B	60Hz																												
CMV-V120TB/HR1-B	50Hz	12.0	40.9	13.0	44.3																							46	50
CMV-V120TB/HNR1-B	60Hz																												
CMV-V150TB/HR1-B	50Hz	15.0	51.1	17.0	58																							46	50
CMV-V150TB/HNR1-B	60Hz																												

Notes:

- Power supply: 220-240V/1N for 50Hz; 208-230V/1N for 60Hz, the above data is for AC motor model.
- Cooling test condition: Indoor side 27°C DB, 19°C WB outdoor side 35°C DB. Heating test condition: Indoor side 20°C DB, 15°C WB outdoor side 7°C DB.
- Sound level: measured at a point 1 m in front of the unit outlet and 1 m below the unit outlet center. During actual operation, these values are normally somewhat higher as a result of ambient conditions.
- The above data may be changed without notice for future improvement on quality and performance.